



MICRO SWITCH

FREEPORT, ILLINOIS, U.S.A.
A DIVISION OF HONEYWELL

FED. MFG. CODE 91929

SWITCH - BASIC

CATALOG LISTING

BZ-2R-A2

AGM2000 / JG-05660

BZ-2R-A2

PAGE 1 OF 1

M

DRAWING NUMBER

ISSUE

13

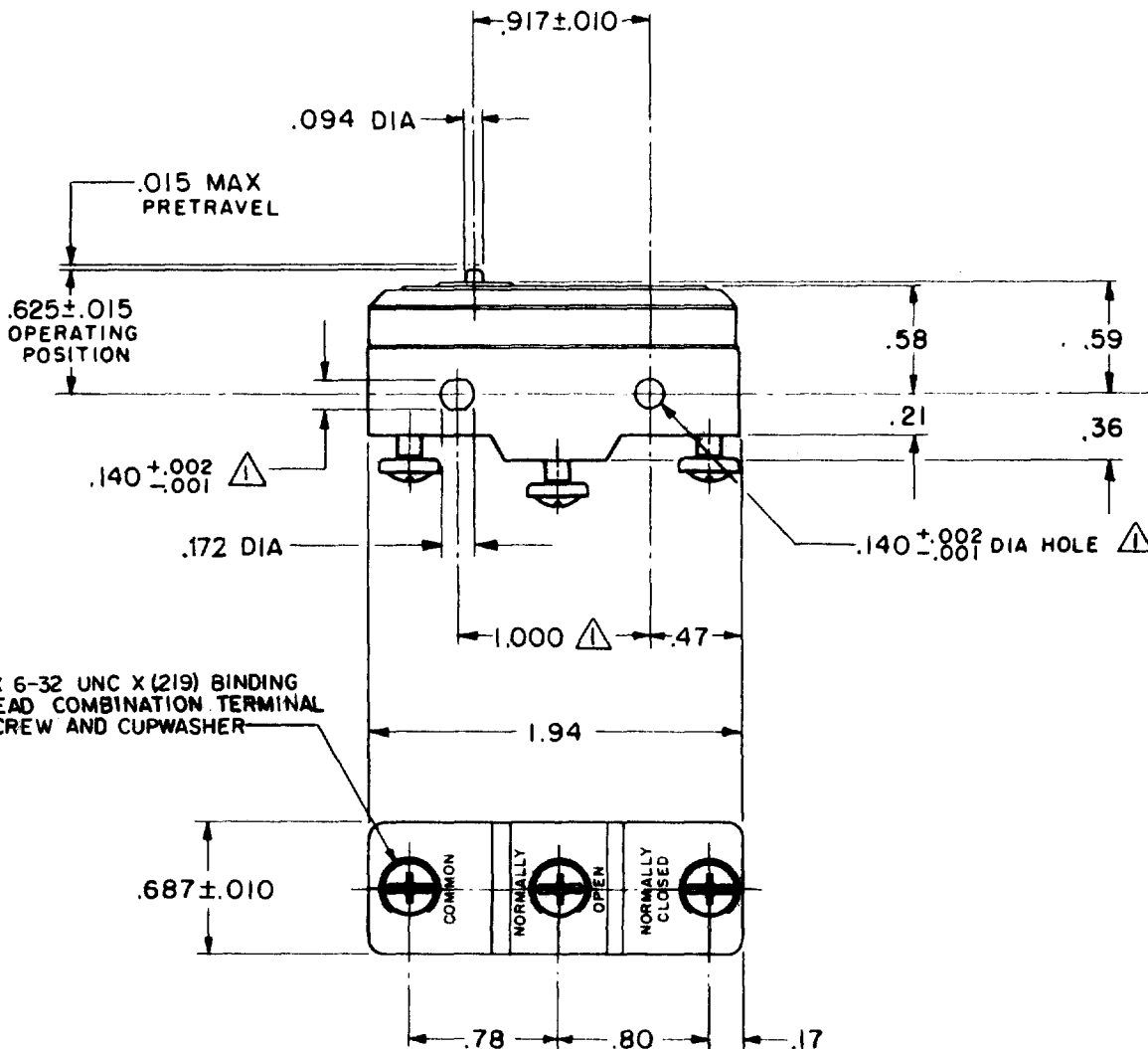
REPLACES

RELEASE NO.

CHECK

REVISIONS

| | | | | |
|---|------------|-------|-------------|-----------|
| A | CO17410 | G C H | 12 APRIL 63 | 29 AUG 05 |
| B | CO31092 | C | OCT 72 | |
| C | CO-73287-B | D H O | 17 MAY 93 | |
| D | CO-77589 | K D R | 29 MAR 94 | |
| E | CO93346 | DLT | 1 SEP 98 | |
| F | 0015138 | SPK | 29 AUG 05 | |



NOTE
 ▲ - MOUNTING HOLES WILL ACCEPT PINS OR SCREWS OF .139 MAX DIA ON 1.000 ± .002 CENTERS

THIS DRAWING COVERS A PROPRIETARY ITEM AND IS THE PROPERTY OF MICRO SWITCH, A DIVISION OF MINNEAPOLIS-HONEYWELL REGULATOR CO. THIS DRAWING IS NOT TO BE COPIED OR USED WITHOUT THE APPROVAL OF MICRO SWITCH.

CHARACTERISTICS

OPERATING FORCE ----- 9 - 13 OZ
 RELEASE FORCE ----- 4 OZ MIN
 DIFFERENTIAL TRAVEL --- .0004 - .0020
 OVERTRAVEL ----- .005 MIN

ELECTRICAL DATA

CONTACT ARRANGEMENT
S P D T

-L74- 15A-125, 250 OR 480 VAC, 2A-600 VAC
 1/8HP-125 VAC; 1/4HP-250 VAC
 1/2A-125 VDC; 1/4A-250 VDC

-L288-
 -L306-
 -L315-

CE EN05 EC SP RU

16A 250V ~ T85 5E4

SCALE FULL

DO NOT SCALE PRINT

UNLESS OTHERWISE NOTED

DIMENSIONS ARE IN INCHES

TOLERANCES ARE:

ONE PLACE (.0) ±.030
 TWO PLACE (.00) ±.015
 THREE PLACE (.000) ±.005
 ANGLES ±

WEIGHT .063 LB

FORMTEK

FO-80378

DRAWN

CHECK

G C H 12 APRIL 63

CHECK

R. S. D. 22 APR 63

CHECK

29 AUG 05

CHECK

RELEASE NO.

REPLACES